

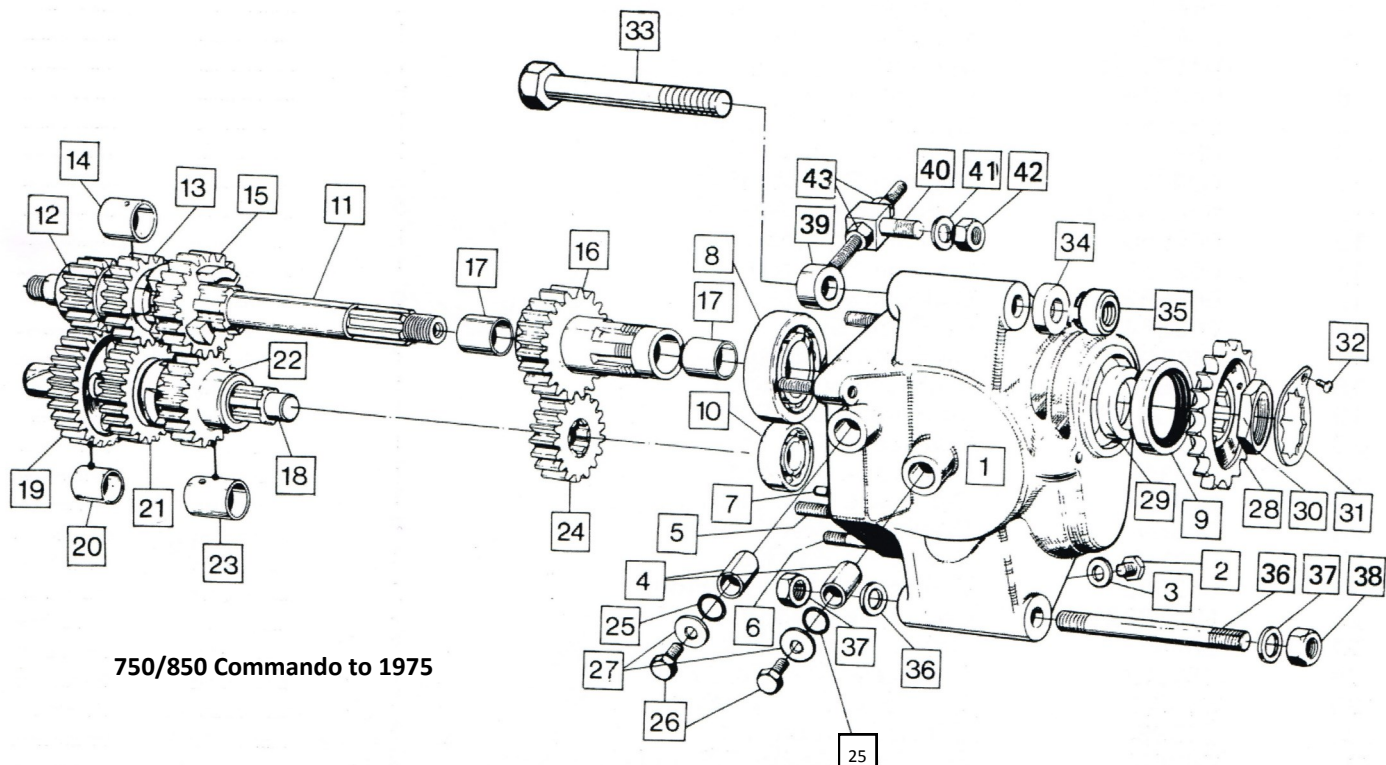


We are the only supplier of Commando & Dominator parts using the original factory drawings. Our products are mostly made in England and to original specification. We also offer Norton Rotary spares, factory service manuals and literature for **NORTON** and **TRIUMPH** motorcycles.

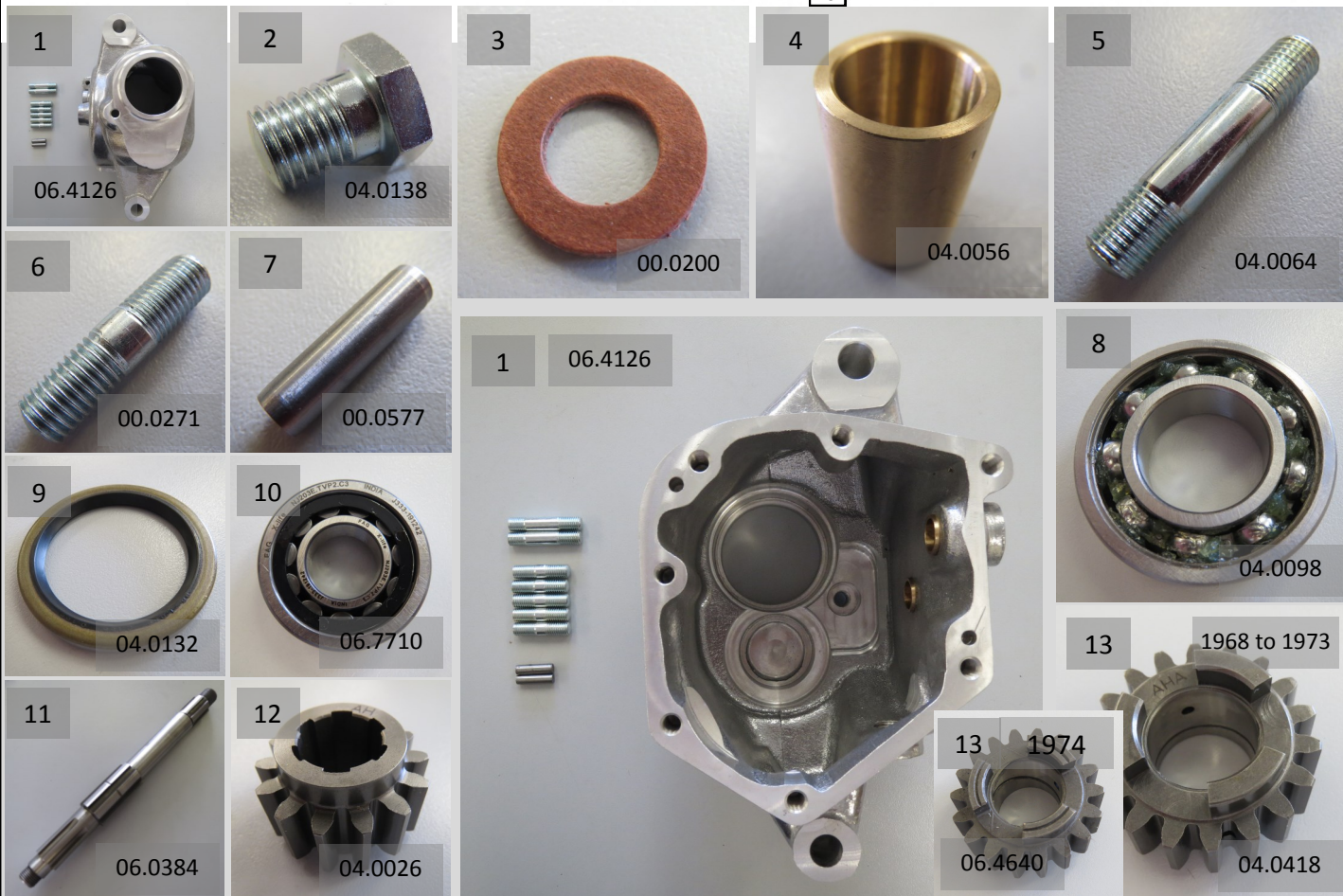
INSIST ON GENUINE FACTORY PARTS PACKAGED WITH THIS LOGO



NORTON COMMANDO GEARBOX SHELL (PRE - 850 MK3)



750/850 Commando to 1975



NOW BUY GENUINE NORTON FACTORY SPARES FROM OUR SALES COUNTER IN ANDOVER, HAMPSHIRE

Order on-line: www.andover-norton.co.uk tel: 01264 359 565 email: office@andover-norton.co.uk

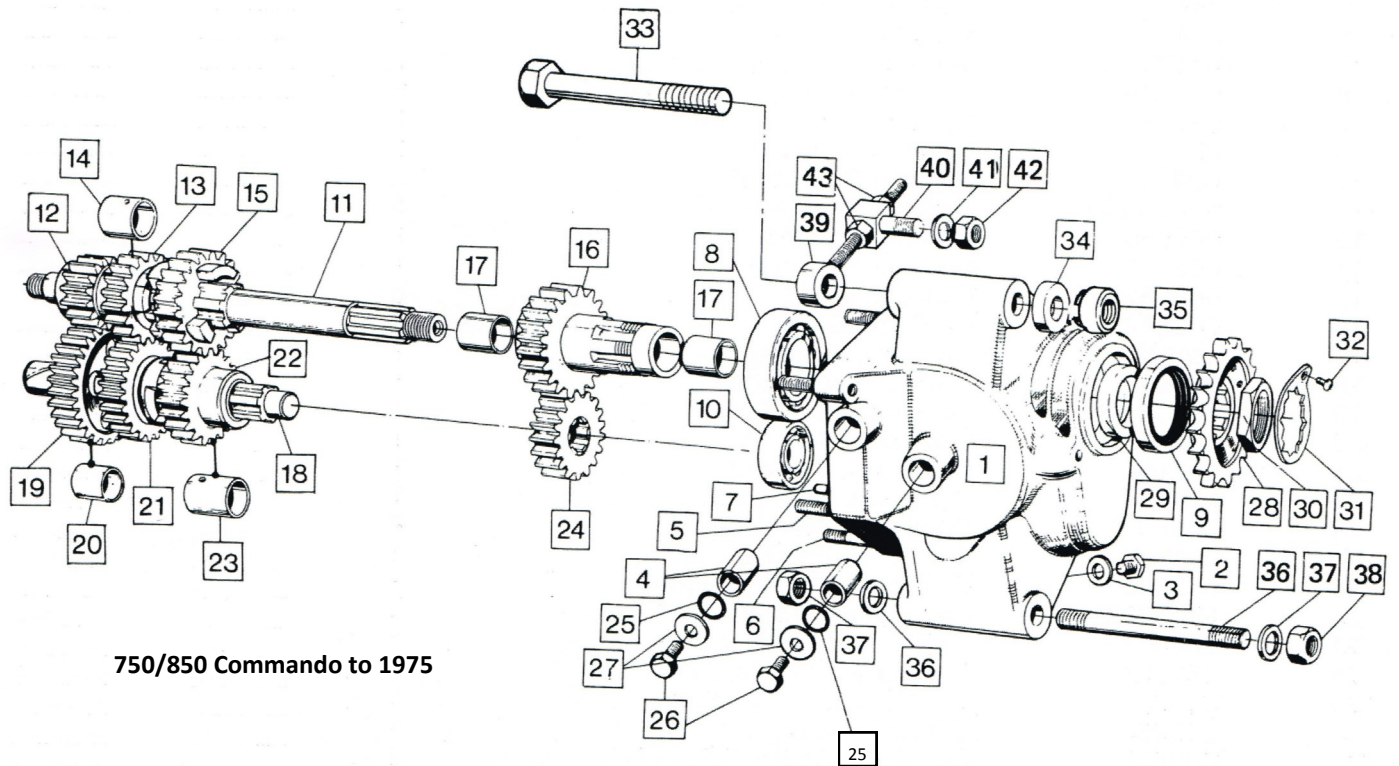


We are the only supplier of Commando & Dominator parts using the original factory drawings. Our products are mostly made in England and to original specification. We also offer Norton Rotary spares, factory service manuals and literature for **NORTON** and **TRIUMPH** motorcycles.

INSIST ON GENUINE FACTORY PARTS PACKAGED WITH THIS LOGO



NORTON COMMANDO GEARBOX SHELL (PRE - 850 MK3)



750/850 Commando to 1975



NOW BUY GENUINE NORTON FACTORY SPARES FROM OUR SALES COUNTER IN ANDOVER, HAMPSHIRE

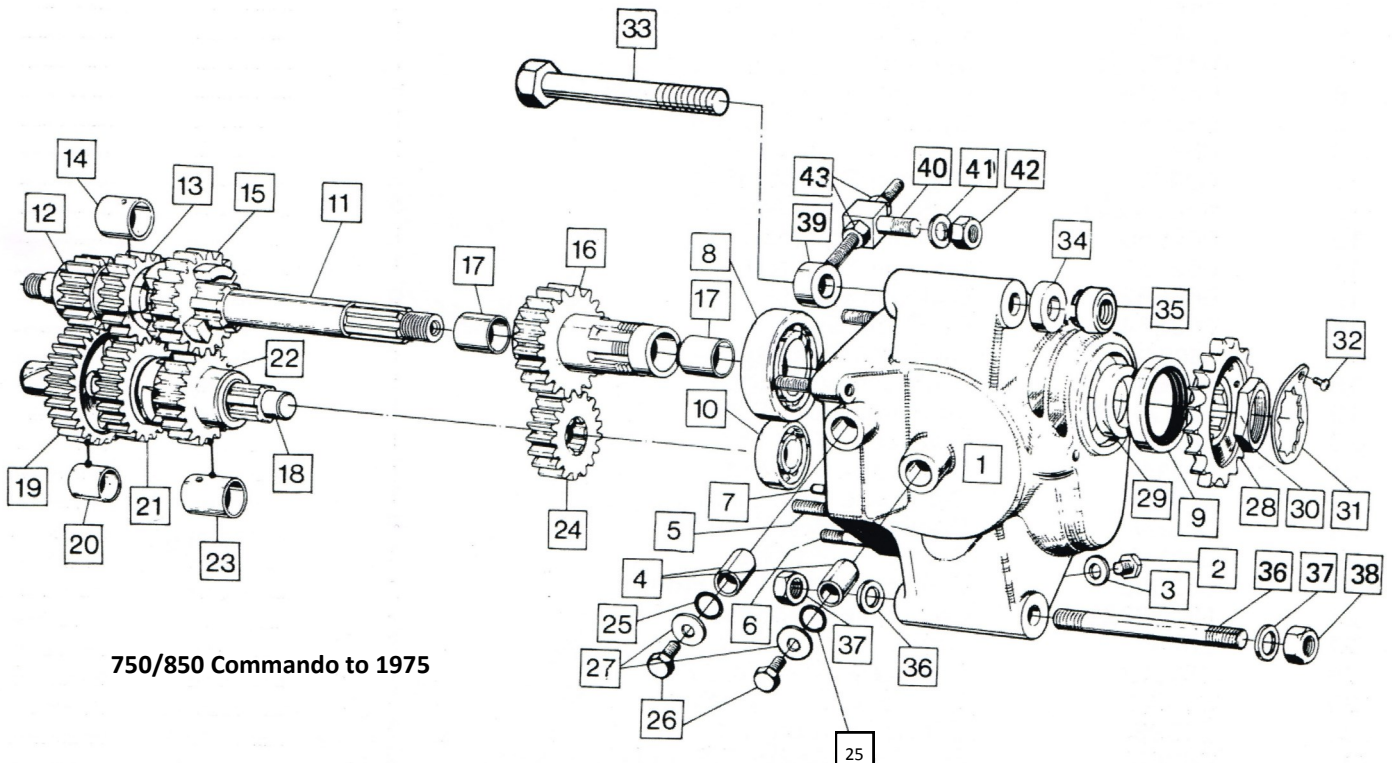


We are the only supplier of Commando & Dominator parts using the original factory drawings. Our products are mostly made in England and to original specification. We also offer Norton Rotary spares, factory service manuals and literature for **NORTON** and **TRIUMPH** motorcycles.

INSIST ON GENUINE FACTORY PARTS PACKAGED WITH THIS LOGO



NORTON COMMANDO GEARBOX SHELL (PRE - 850 MK3)



750/850 Commando to 1975



NOW BUY GENUINE NORTON FACTORY SPARES FROM OUR SALES COUNTER IN ANDOVER, HAMPSHIRE

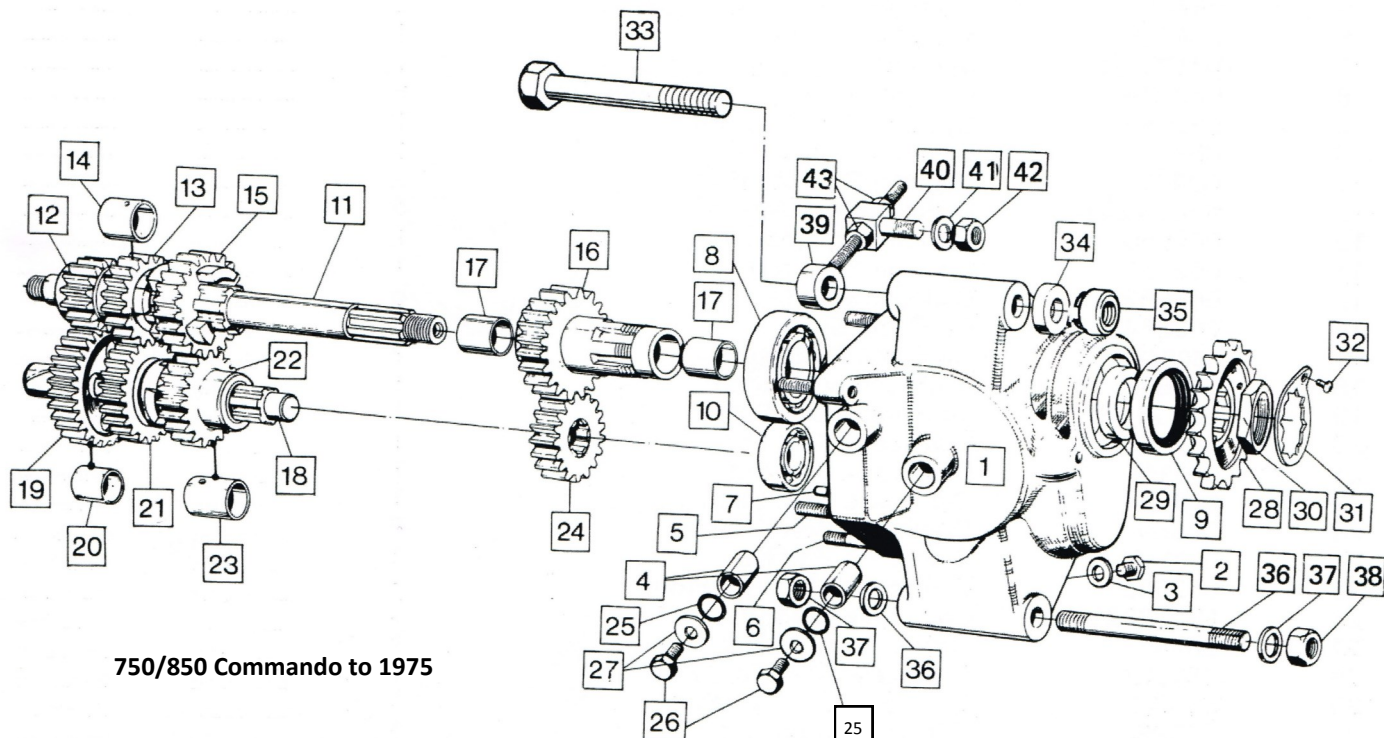


We are the only supplier of Commando & Dominator parts using the original factory drawings. Our products are mostly made in England and to original specification. We also offer Norton Rotary spares, factory service manuals and literature for **NORTON** and **TRIUMPH** motorcycles.

INSIST ON GENUINE FACTORY PARTS PACKAGED WITH THIS LOGO



NORTON COMMANDO GEARBOX SHELL (PRE - 850 MK3)

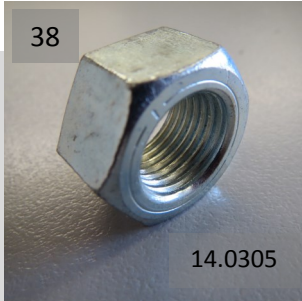


750/850 Commando to 1975



37 00.0008

**PLEASE
SEE OUR
WEBSITE
FOR
PRICES**



38 14.0305



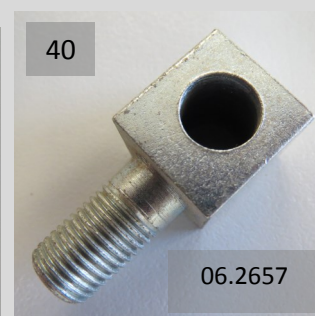
39 06.7681
1968 to 1971



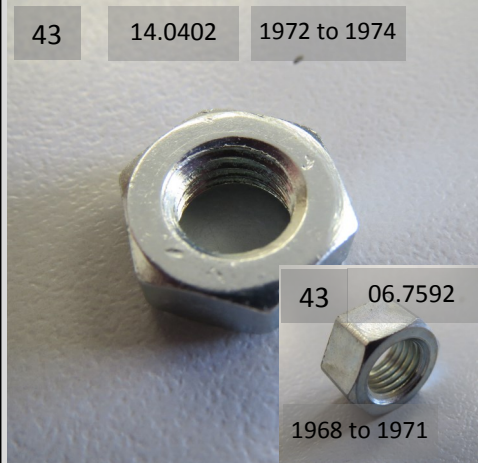
39 06.2654
1972 to 1974



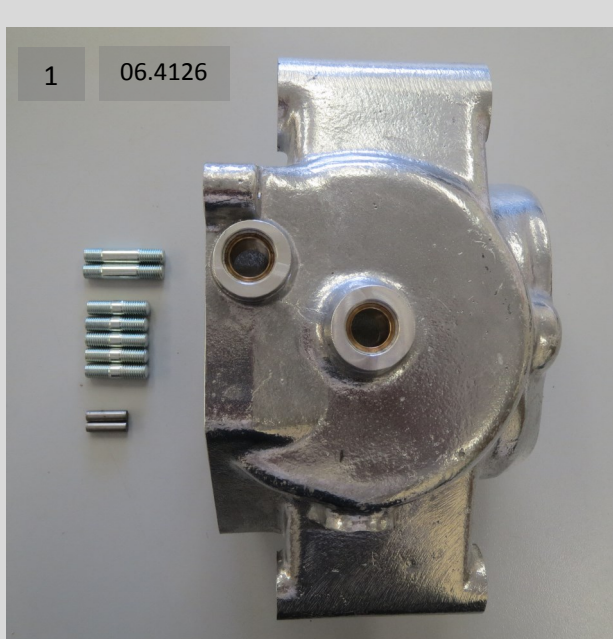
42 14.0303



40 06.2657



43 14.0402 1972 to 1974
43 06.7592 1968 to 1971



1 06.4126



41 60.2322

NOW BUY GENUINE NORTON FACTORY SPARES FROM OUR SALES COUNTER IN ANDOVER, HAMPSHIRE



We are the only supplier of Commando & Dominator parts using the original factory drawings. Our products are mostly made in England and to original specification. We also offer Norton Rotary spares, factory service manuals and literature for **NORTON** and **TRIUMPH** motorcycles.

INSIST ON GENUINE FACTORY PARTS PACKAGED WITH THIS LOGO



NORTON COMMANDO GEARBOX SHELL (850 MK3)

850 MK3, 1975 onwards

1	06.5207	8	00.0271
2	04.0138	9	00.0577
3	00.0200	10	04.0098
4	60.2322	11	04.0132
5	04.0056	12	06.7710
6	06.5209	13	06.0384
7	04.0064	14	04.0026
15	06.4640		



We are the only supplier of Commando & Dominator parts using the original factory drawings. Our products are mostly made in England and to original specification. We also offer Norton Rotary spares, factory service manuals and literature for **NORTON** and **TRIUMPH** motorcycles.

INSIST ON GENUINE FACTORY PARTS PACKAGED WITH THIS LOGO



NORTON COMMANDO GEARBOX SHELL (850 MK3)

850 MK3, 1975 onwards

32	06.0931	Exploded view diagram of the gearbox assembly with callouts 14, 15, 16, 17, 18, 19, 20, 21, 22, 23, 24, 25, 26, 27.	39	04.0076					
33	06.0721		40	00.0450					
34	06.0759		41	06.4697					
35	06.3420		42	00.0013					
36	06.3421		43	03.0023					
37	04.0131		44	06.4730					
38	04.0070	46	00.0008	47	14.0305	48	06.5390	45	06.0597
		49	14.0403	50	06.6364				